

ENGINE MOUNT



Engine Mount

Model: W650, Z750FX-I, Z1/II, Z900RS, Z1-R, Z1000MK-II/J/R, GPZ1100F, Z1100GP/R, CB1100R

Color: Silver, Black

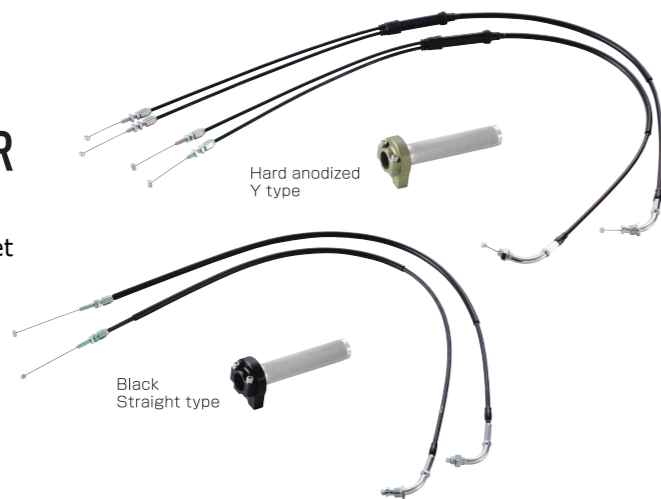
¥ 23,000~

THROTTLE HOLDER & WIRE SET

Throttle Holder & Wire Set

Color: Hard anodized, Black
Type: Straight-Type, Y-Type

¥ 26,000~

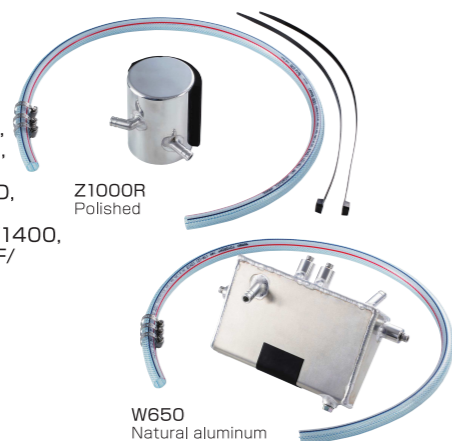


OIL CATCH TANK

Oil Catch Tank

Model: KSR110, ZEPHYR400/750/1100, ZX-6RR, W650, GPZ750F/900R/1100F, Z750FX-I, Z1/II, Z1000A/MK-II/J/R, Z1-R, Z1100GP/R, ZRX1100/1200, ZZR1100C/D, Z1300, YZ250F, SRX400/600, XJ400Z, XJR1200/1300, GSX400S/750S/1100S/1400, GSX-R1100, CB750F/900F/1000SF/1100F/1100R/1300SF, CBX1000, VTR1000F

Round Type	Polished	¥ 15,000~
Round Type	Blast	¥ 12,000~
Box Type	Natural aluminum	¥ 18,000~



HEADLIGHT STAY

Headlight Stay

Model: Z750FX-I, ZEPHYR750/1100, Z1/II, Z900RS, Z1000MK-II/J/R, Z1-R, GPZ1100F, Z1100GP/R, SRX600, GSX1400, CB750F/1000SF/1300SF, CBX1000

Color: Hard anodized, Silver, Black

¥ 30,000~



The prices in this catalog are ex. VAT, apply from the 1st. of September 2018.
They are subject to change without further notice.
The colors may slightly vary from the photos in this catalog.



SPECIAL RACING PARTS
BITO R&D

BITO R&D CO.,LTD.

149-1 Okuno, Toyooka-city, Hyogo 668-0822 Japan
Phone.0796-27-0429 Fax.0796-27-0629
[URL] <http://www.jb-power.co.jp>
[E-Mail] bito@jb-power.co.jp

JB-POWER FRAME PARTS CATALOG



SWING ARM



Z1100R
Natural aluminum
Eccentric type

Z1
Black
Square chain adjuster type

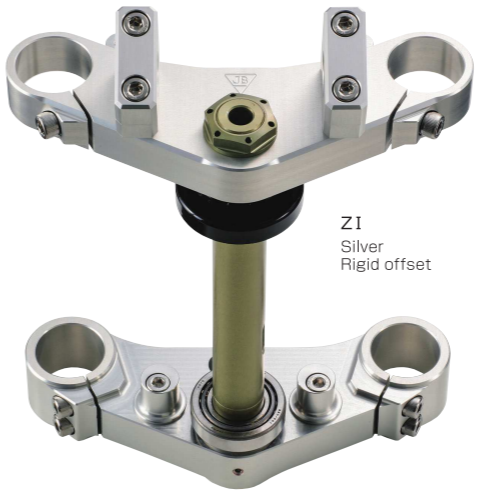
Swing Arm
Model: Z1/II, Z1000MK-II/J/R, Z1100GP, Z1-R, ZRX1100/1200, GSX750S/1100S, CB750F/900F/1100F/1100R, CBX1000

Color: Natural aluminum, Black

Square chain adjuster type	¥ 170,000~
Eccentric type	¥ 150,000~



FORK BRIDGE



Z1
Silver
Rigid offset



Z1
Black
Adjustable offset



Fork Bridge [Triple Trees]
Model: Z750FX-I, ZEPHYR750/1100, GPZ900R, Z1/II, Z900RS, Z1000A/MK-II/J/R, Z1-R, Z1100GP/R, ZRX1100, SRX600, XJR1200, GSX1100S/1400, CB750F/1000SF/1100R/1300SF, CBX750F/1000

Color: Silver, Black

Adjustable offset	¥ 180,000~
Rigid offset	¥ 150,000~

JB-POWER FRAME PARTS

JB-POWER FRAME PARTS, made from highest grade aluminum, significantly improve the basic characteristics of a motorcycle. As a consequence, every motorcycle equipped with our parts will have tremendously improved handling, durability and riding performance. Ambitious design and extensive research lead to sophisticated shapes combined with BITO R&D's world leading quality, JB-POWER FRAME PARTS guaranty to make your beloved motorcycles more special.

RIDING STEP KIT



Z1
Hard anodized
Foldable pedal
Rigid position
JB Master cylinder

Z1
Black
Rigid pedal
Rigid position
JB Master cylinder

Z900RS
Silver
Foldable pedal
Adjustable position
STD Master cylinder

Riding Step Kit [Rear Set]
Model: ZEPHYR750/1100, GPZ900R, Z1/II, Z900RS, Z1000MK-II/J/R, ZX-10R/12R, Z1100GP/R, ZRX1100/1200/DAEG, ZZR1100C/D, Z1300, Z1-R, SRX400/600, XJR1200/1300, GSX1100S/1400, GSX-R1100, CB750F/1000SF/1100F/1100R/1300SF, CBX750F/1000, VFR750(RC30), VF1000R, VTR1000F, DUCATI 900SS, SCRAMBLER ICON, TRIUMPH SCRAMBLER, THRUXTON1200R

Color: Hard anodized, Silver, Black
Variation Foot Peg: Rigid, Foldable
Position: Rigid, Adjustable
Master Cylinder: JB, STD
¥ 50,000~



REAR FLOATING KIT



Z1
Silver

Z1000R
Black

Rear Floating Brake Kit
Model: W650*, Z750FX-I, ZEPHYR750/1100, GPZ900R, Z1/II, Z1000A/MK-II/J/R, Z1100GP/R, Z1-R, ZRX1100, GSX1100S/1400, CB750F/1000SF/1100R/1300SF, CBX1000*
[Cast Iron Disc φ250, CP2696 Caliper, Brake Pads, Caliper Bracket [Collar included], Torque Rod, Torque Rod Anker, Stainless Mesh Brake Hose, Stainless Fitting, Banjo Bolt]
* Rigid Rear Brake Kit
¥ 184,600~

OIL COOLER KIT



CBX1000
Silver
330 mm
13 rows

ZEPHYR750
Black
405 mm
13 rows

Oil Cooler Kit
Model: ZEPHYR400/750/1100, GPZ750R/900R/1100F, Z1/II, Z1000MK-II/J/R, Z1100GP/R, SR400/500, SRX400/600, XJR1200/1300, GSX1100S, GSX-R1100, CB400Four/750K, CBX1000
Color: Silver, Black
Variation Rows: 10, 13, 16, 22
Width: 210mm, 330mm, 405mm
Hose Orientation: Below Tank, Side, S1 Type, STD
¥ 60,000~

The prices in this catalog are ex. VAT, apply from the 1st. of September 2018. They are subject to change without further notice. The colors may slightly vary from the photos in this catalog.